

STAMP
 PRELIMINARY
 NOT FOR
 CONSTRUCTION

REVISION	DATE	DESCRIPTION

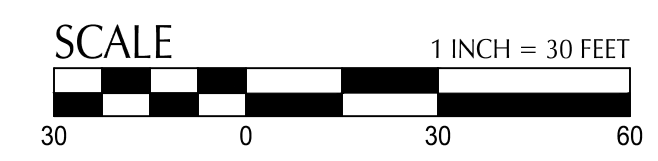
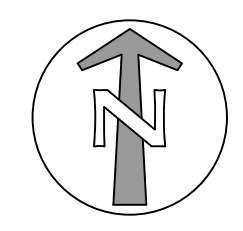
JOB No.: 2200512
 DESIGNED BY: DLG/AB
 DRAWN BY: DLG
 CHECKED BY: AB
 PLOT DATE: 9/15/23 1:35pm
 PLOTTED BY: DGeorge
 DWG NAME: 2200512-020-OP4.dwg
 TAB NAME: C2.4

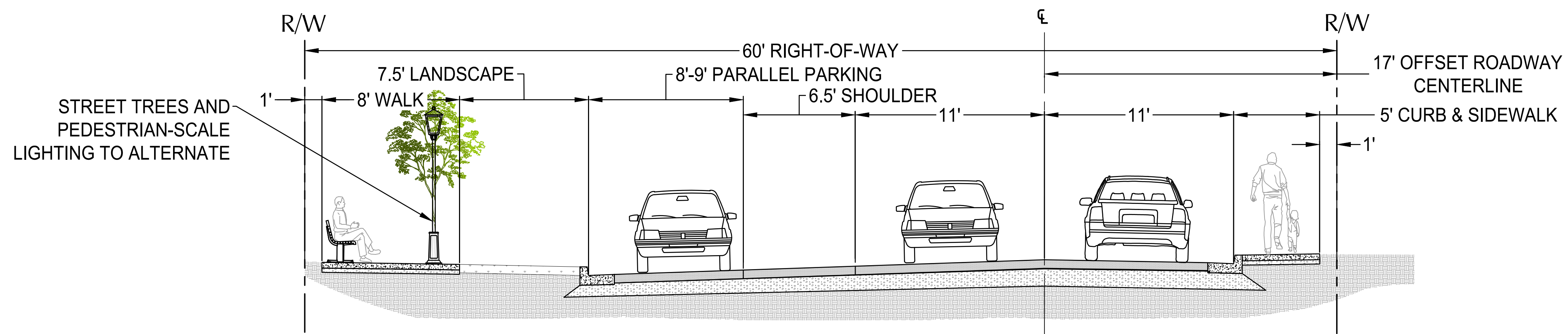
BLUE RIVER DR
 BLUE RIVER DRIVE
 STREETSCAPE IMPROVEMENTS
 DOWNTOWN
 OPTION 4

SHEET NO.
C2.4

File: O:\p\2022\200512-Blue-River-Drive\CAD\PL01\2200512-020-OP4.dwg TAB: C2.4
 Plotted: 9/15/23 at 1:35pm By: DGeorge

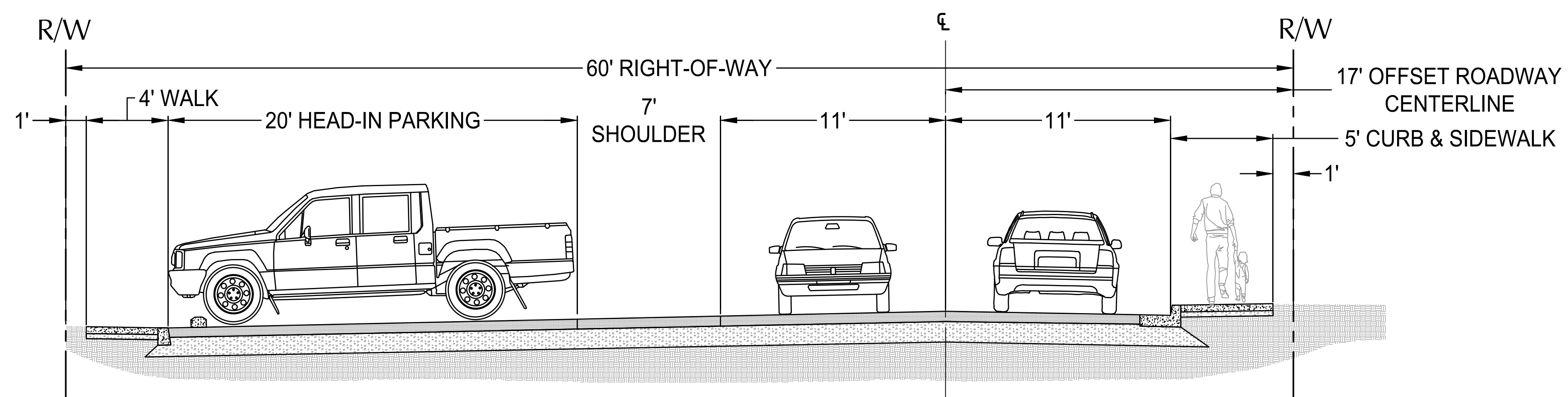
24x36





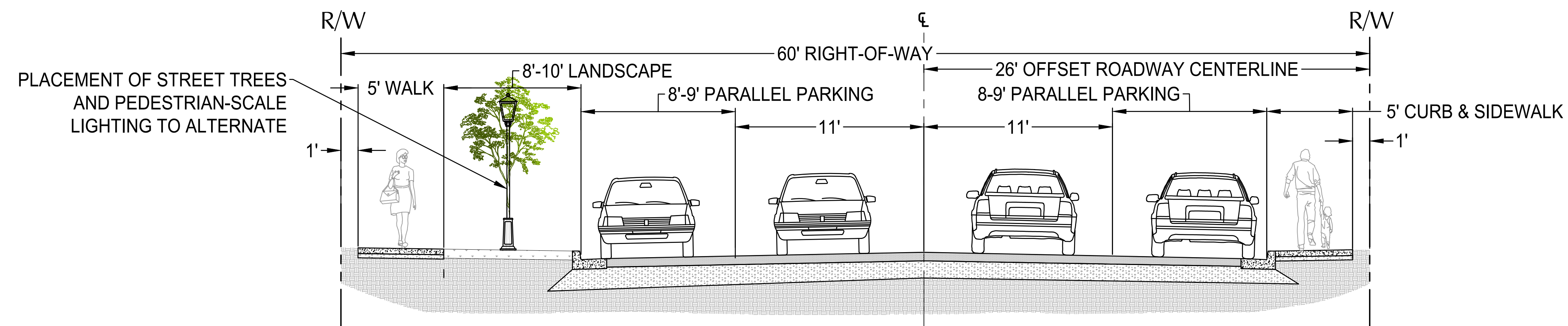
ROSE STREET TO ECHO STREET (DON DOW) SECTION

SCALE: 1" = 4'



ROSE STREET TO ECHO STREET (MELANIE) SECTION

SCALE: 1" = 4'



ECHO STREET TO MCKENZIE STREET SECTION

SCALE: 1" = 4'

STAMP
PRELIMINARY
NOT FOR
CONSTRUCTION

REVISION	DATE	DESCRIPTION

JOB No.:	2200512
DESIGNED BY:	DLG/AB
DRAWN BY:	DLG
CHECKED BY:	AB
PLOT DATE:	9/15/23 1:35pm
PLOTTED BY:	DGeorge
DWG NAME:	2200512-02D-OP4.dwg
TAB NAME:	C2.5

BLUE RIVER OR
BLUE RIVER DRIVE
STREETScape IMPROVEMENTS
DOWNTOWN
OPTION 4

SHEET NO.
C2.5