

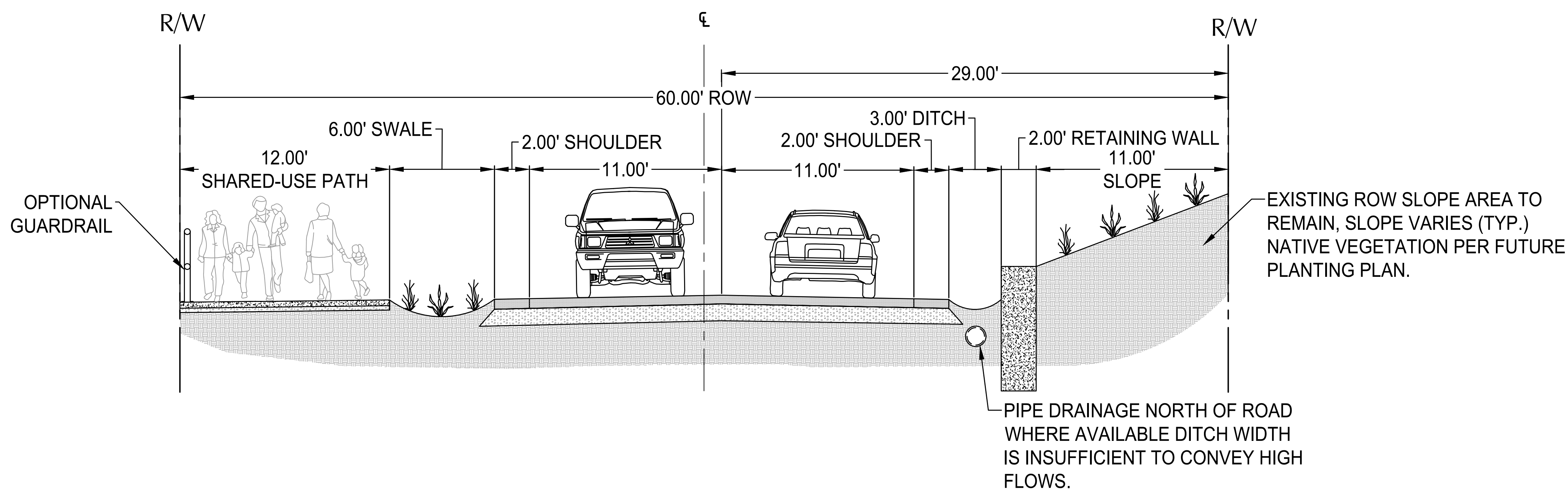


STAMP

PRELIMINARY
NOT FOR
CONSTRUCTION

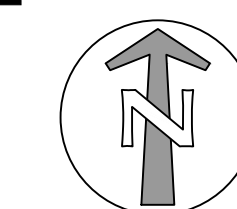
REVISION	DATE	DESCRIPTION

JOB No.: 2200512
DESIGNED BY: DLG/AB
DRAWN BY: DLG
CHECKED BY: AB
PLOT DATE: 9/15/23 11:53am
PLOTTED BY: DGeorge
DWG NAME: 2200512-03W-OP4.dwg
TAB NAME: C3.4



PREFERRED OPTION SECTION

SCALE: 1" = 4'



BLUE RIVER OR
BLUE RIVER DRIVE
STREETSCAPE IMPROVEMENTS
WEST BLUE RIVER DRIVE
PREFERRED OPTION

SHEET NO.

C3.4